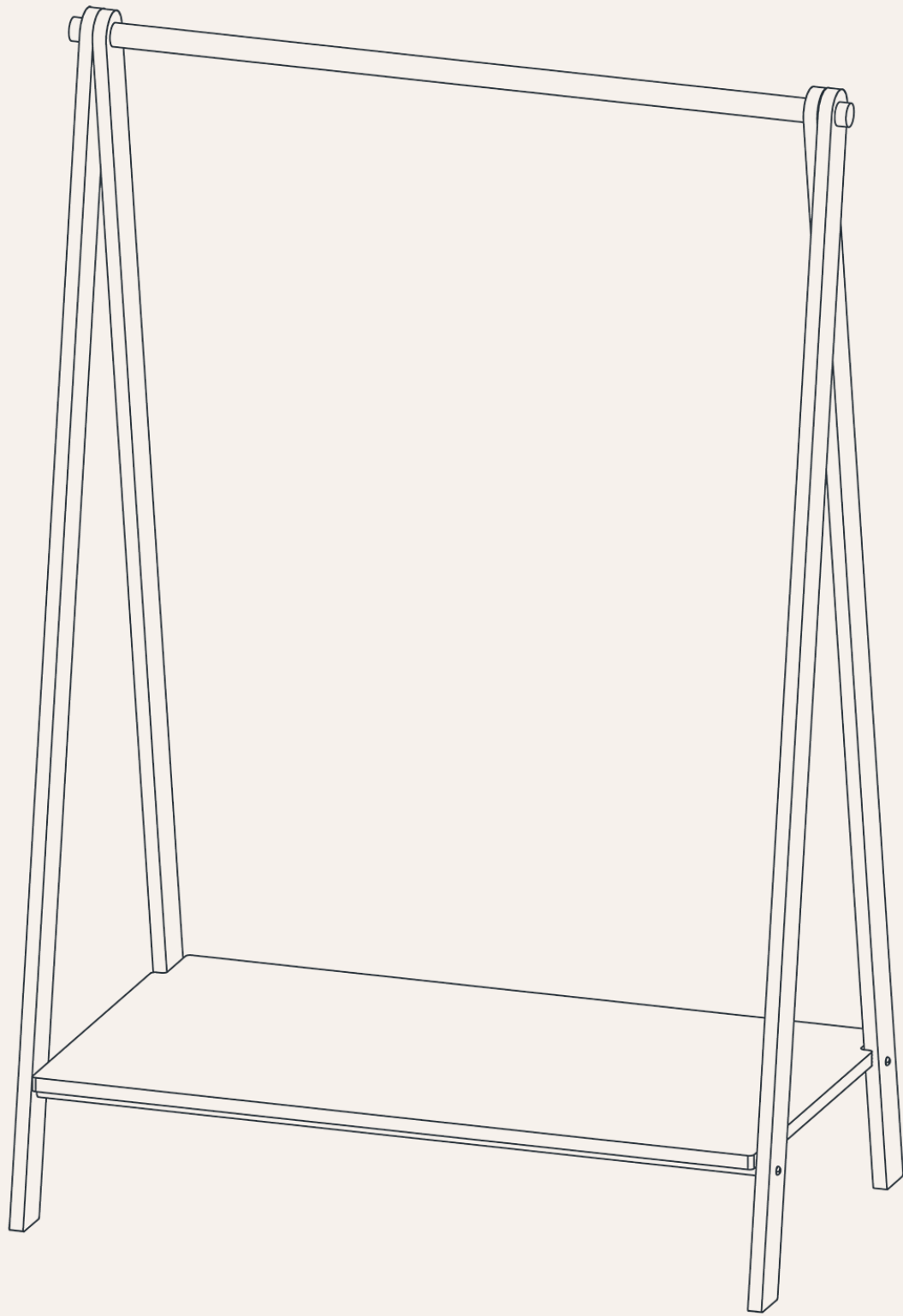


UNWIND COLLECTION



SKU: DBUCLRACK

63" TALL CLOTHING RACK

USER GUIDE

DANDELION

RESPONSIBLY CREATING BETTER PRODUCTS FOR A BETTER WORLD

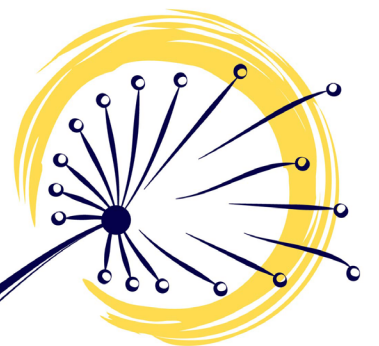


Table of Contents

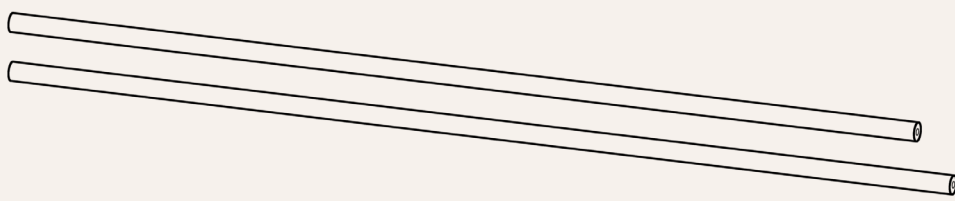
USER GUIDE



A. Legs x4

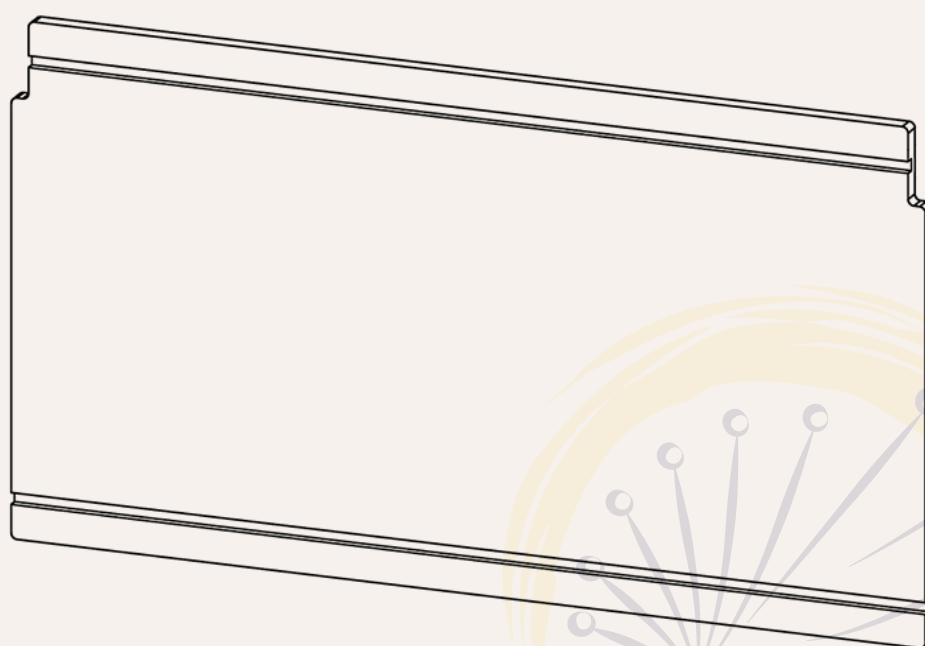


B. Top Rod x1



C1. Shorter Bar - Back x1
C2. Longer Bar - Front x1

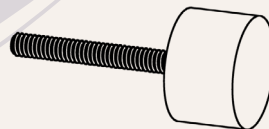
C1.
C2.



D. Shelf x1



E. Screw x4

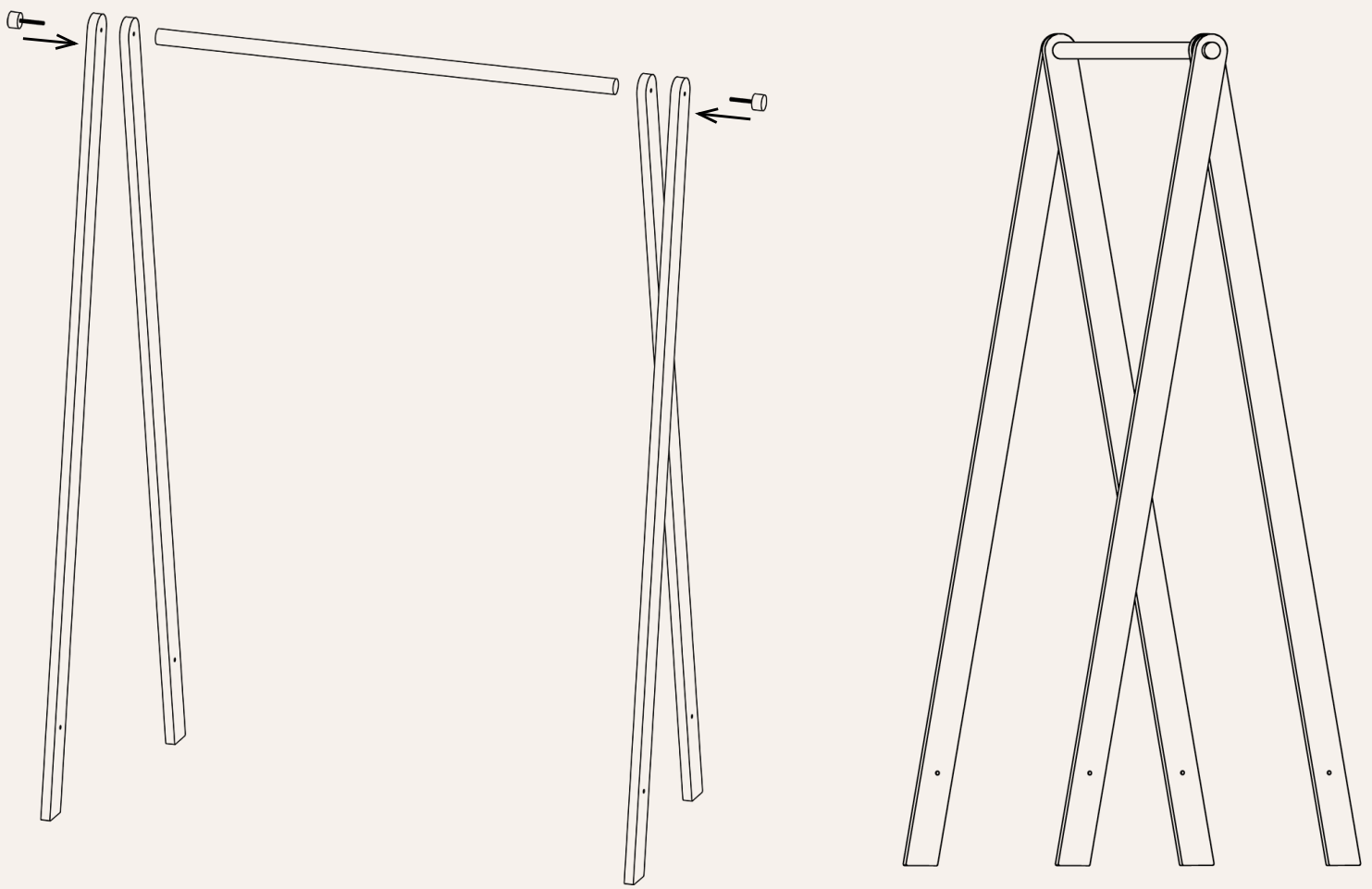


F. End Cap x2

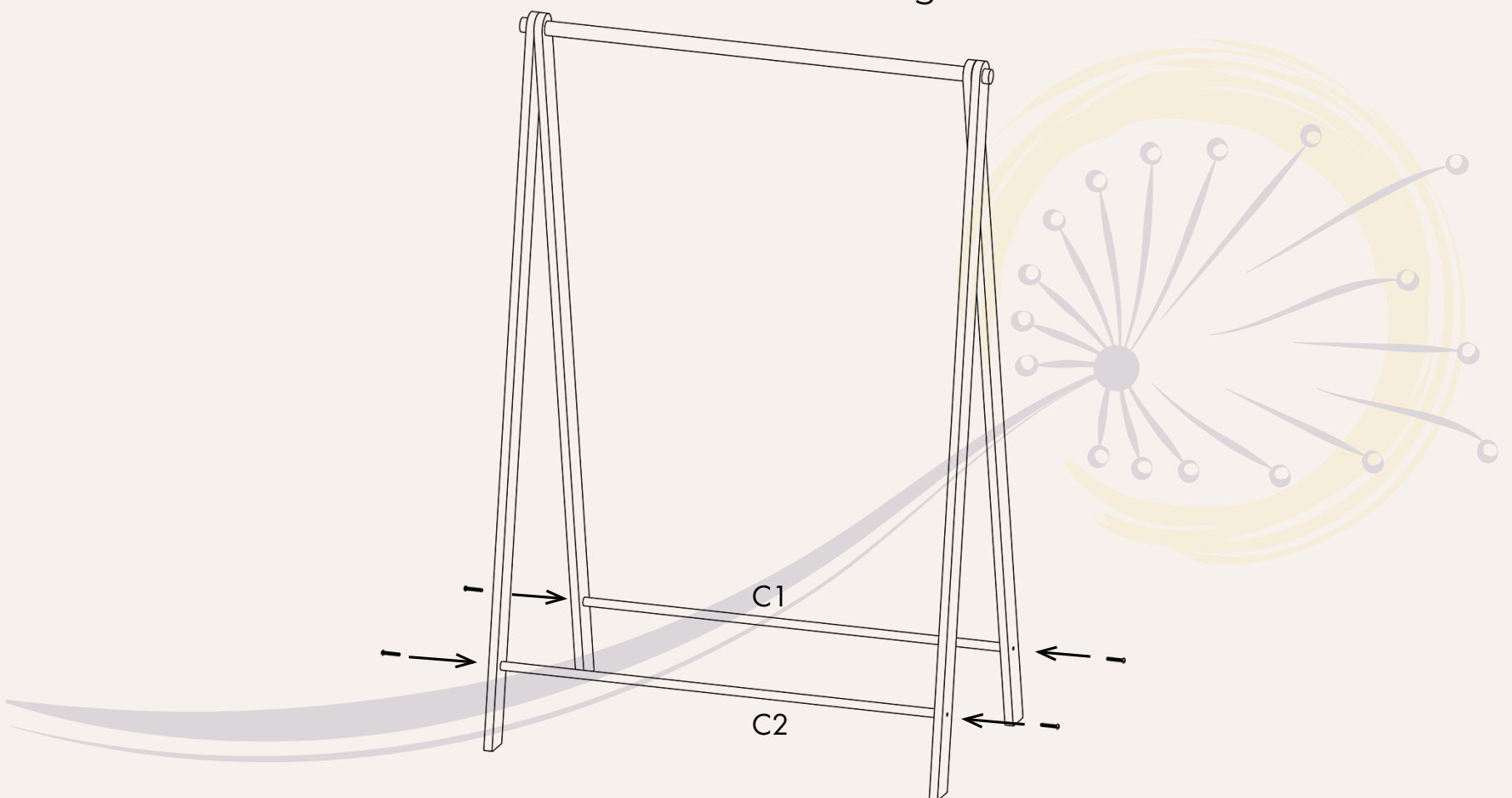


G. Hex Wrench
x1

PARTS DIAGRAM

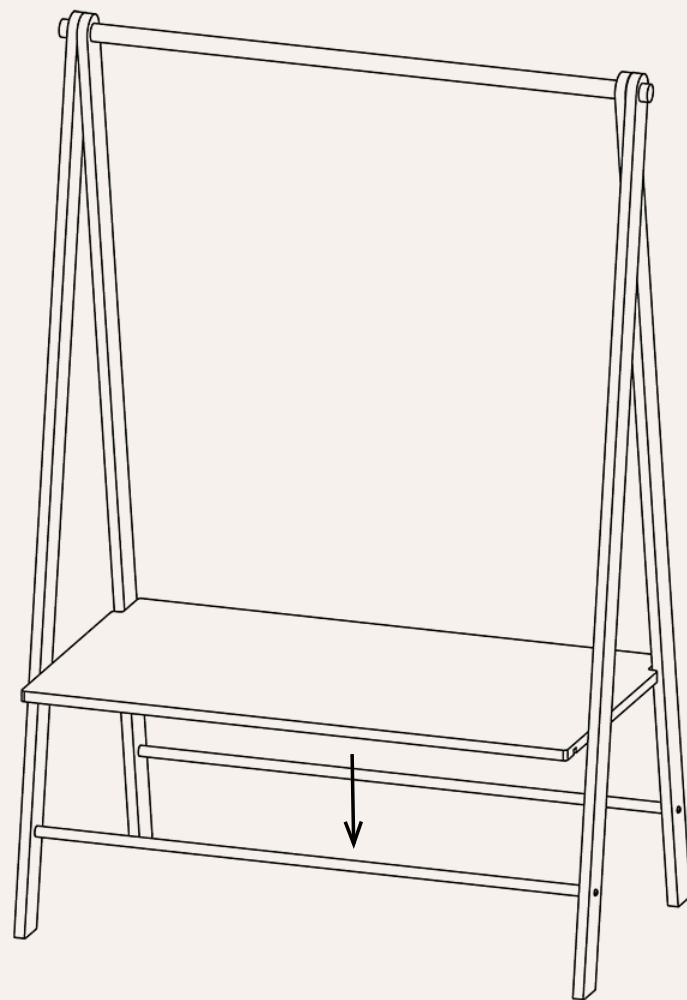


1. Connect 4 legs and top rod (B) with end caps (F) on both sides. Make sure 2 legs attach to the rod reside at back and the other 2 legs at front. The bottom of the legs have to be flush with the ground.

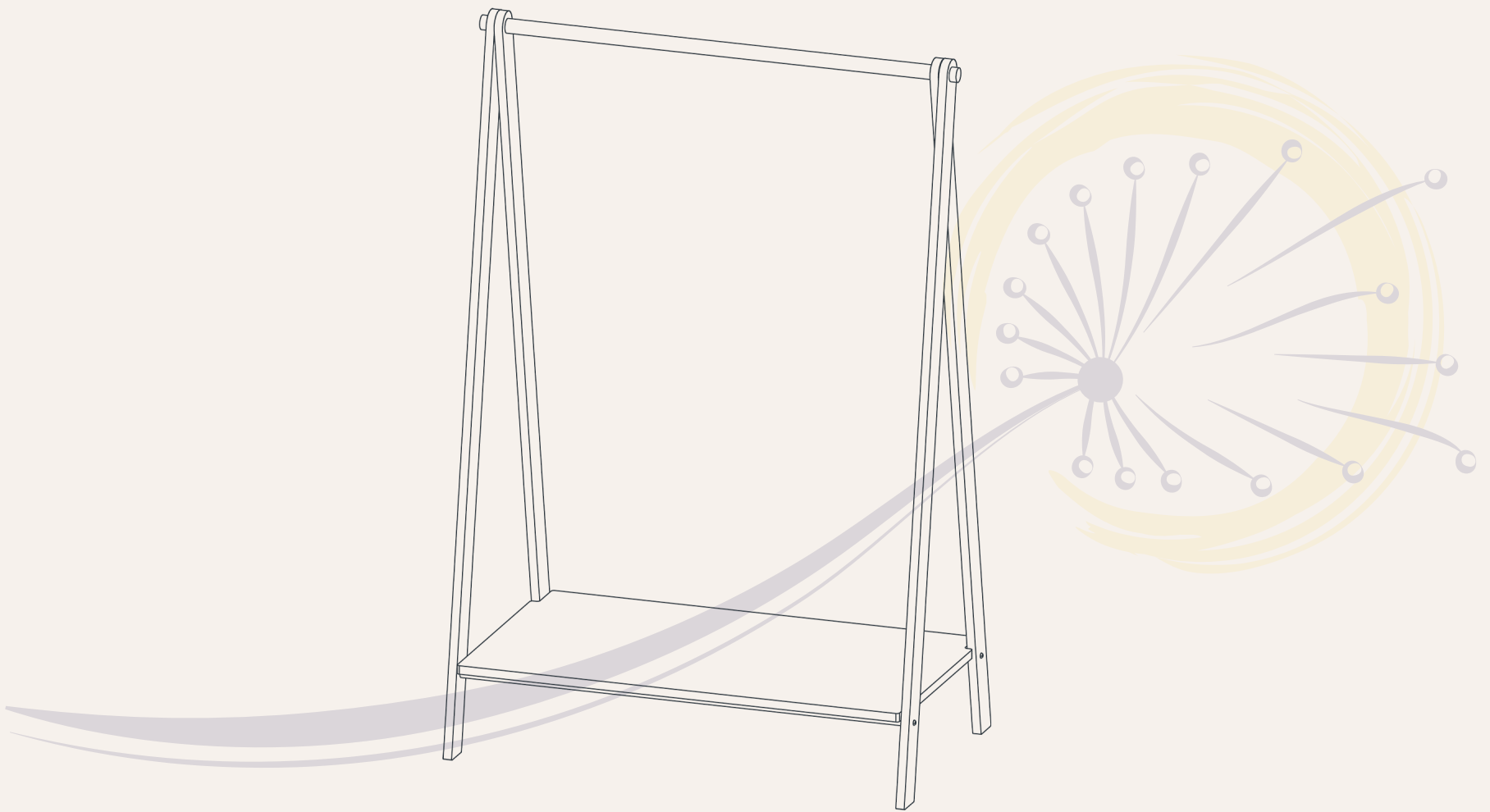


2. Connect the bottom with 2 round bars (C1 and C2). Use screws (E) and hex wrench (G) to secure legs.

ASSEMBLY INSTRUCTIONS



3. Place the shelf (D) onto the connecting bars.



4. The assembly is finished.

ASSEMBLY INSTRUCTIONS

THANK YOU FOR SPREADING
THE SEEDS OF SUSTAINABILITY
AND HELPING TO PROTECT
OUR PLANET.



HAVE A QUESTION? GET IN TOUCH WITH
OUR DANDELION REPRESENTATIVES AT:
888-257-6639

CONTACT US